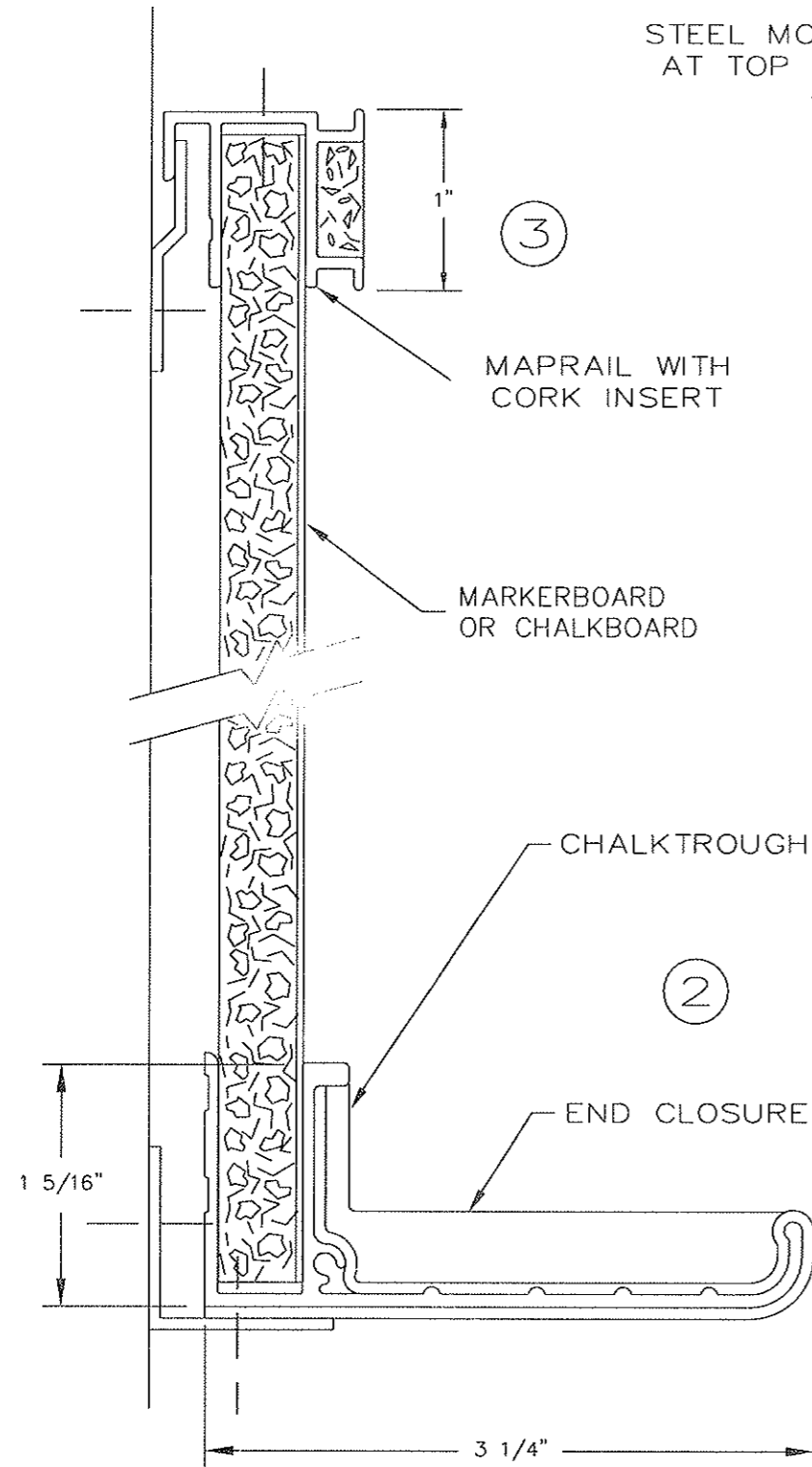


CLARIDGE SERIES 5 FACTORY BUILT UNITS

TRIM SECTION DETAILS
SCALE=FULL SIZE



STEEL MOUNTING BARS
AT TOP OF ALL UNIT

3
MAPRAIL WITH
CORK INSERT

MARKERBOARD
OR CHALKBOARD

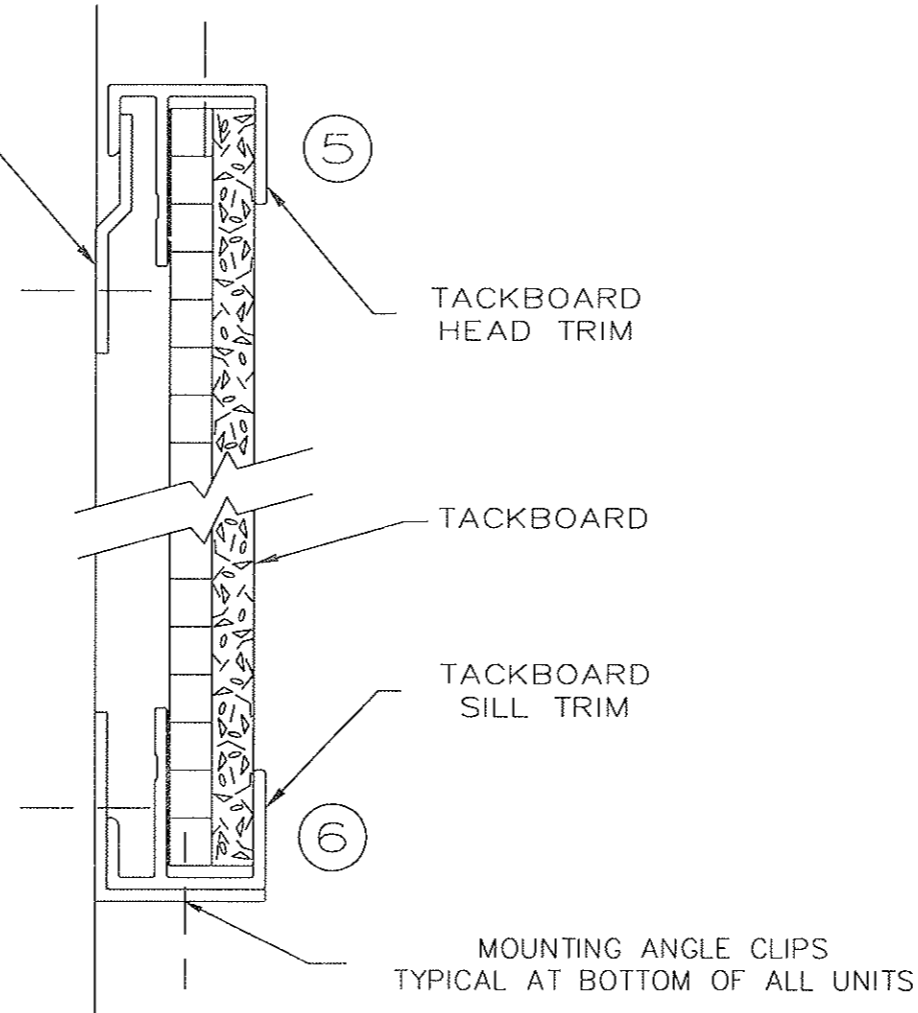
CHALK TROUGH

2

END CLOSURE

$3 \frac{1}{4}$ "

$1 \frac{5}{16}$ "



5

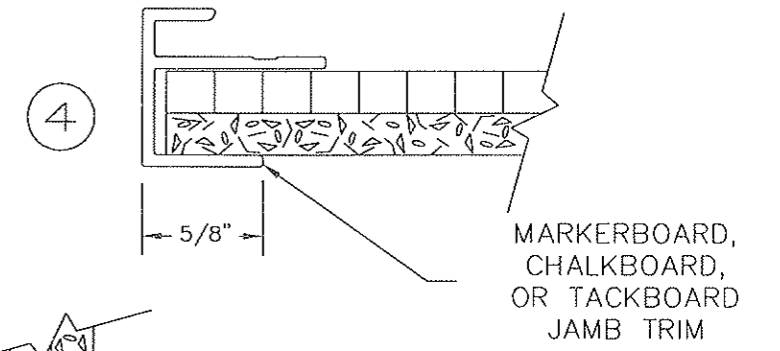
TACKBOARD
HEAD TRIM

TACKBOARD

TACKBOARD
SILL TRIM

6

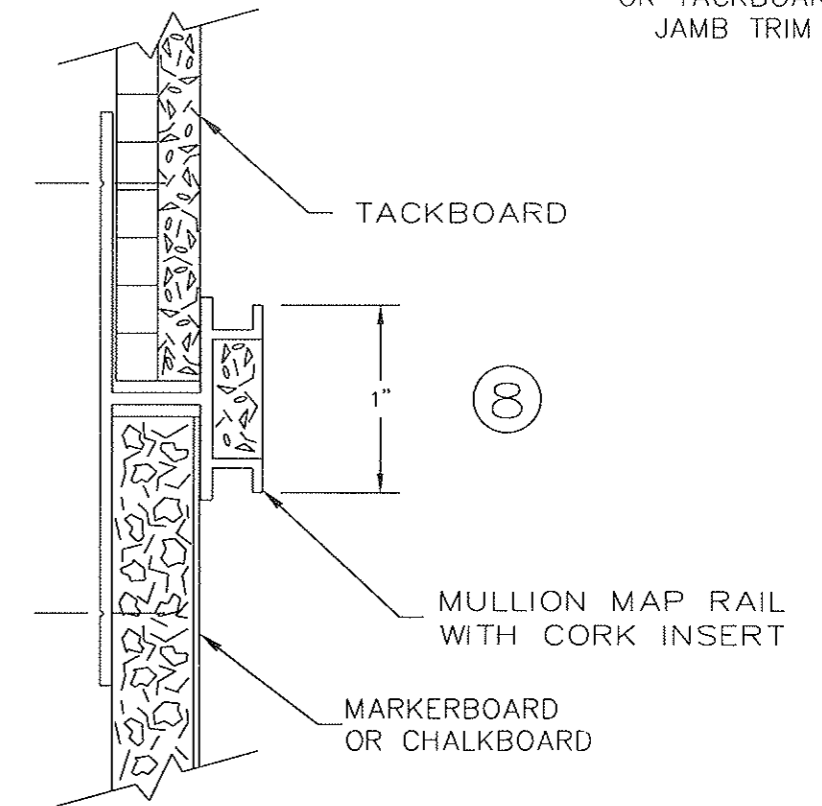
MOUNTING ANGLE CLIPS
TYPICAL AT BOTTOM OF ALL UNITS



4

$\frac{5}{8}$ "

MARKERBOARD,
CHALKBOARD,
OR TACKBOARD
JAMB TRIM



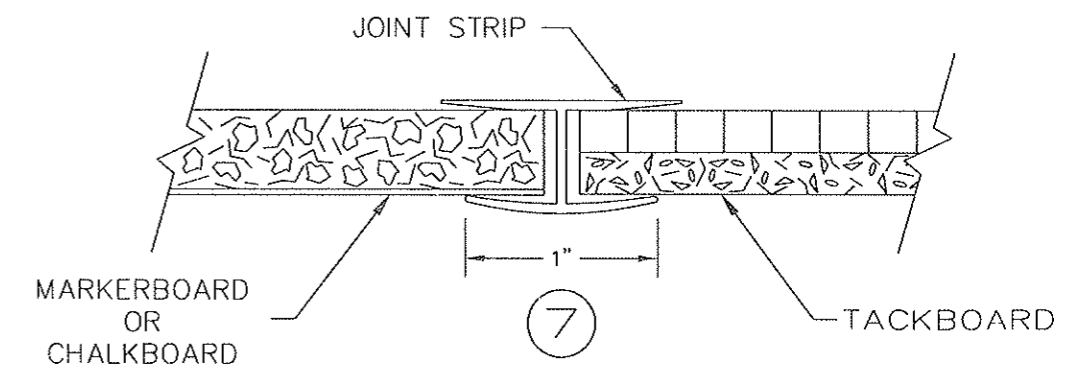
8

TACKBOARD

MULLION MAP RAIL
WITH CORK INSERT

MARKERBOARD
OR CHALKBOARD

1"



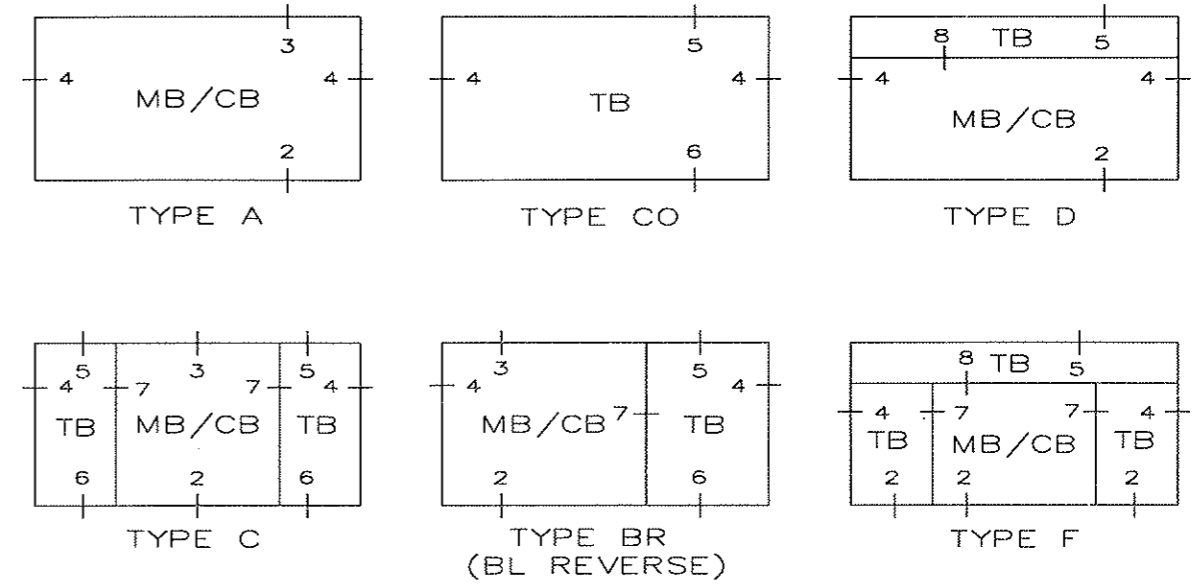
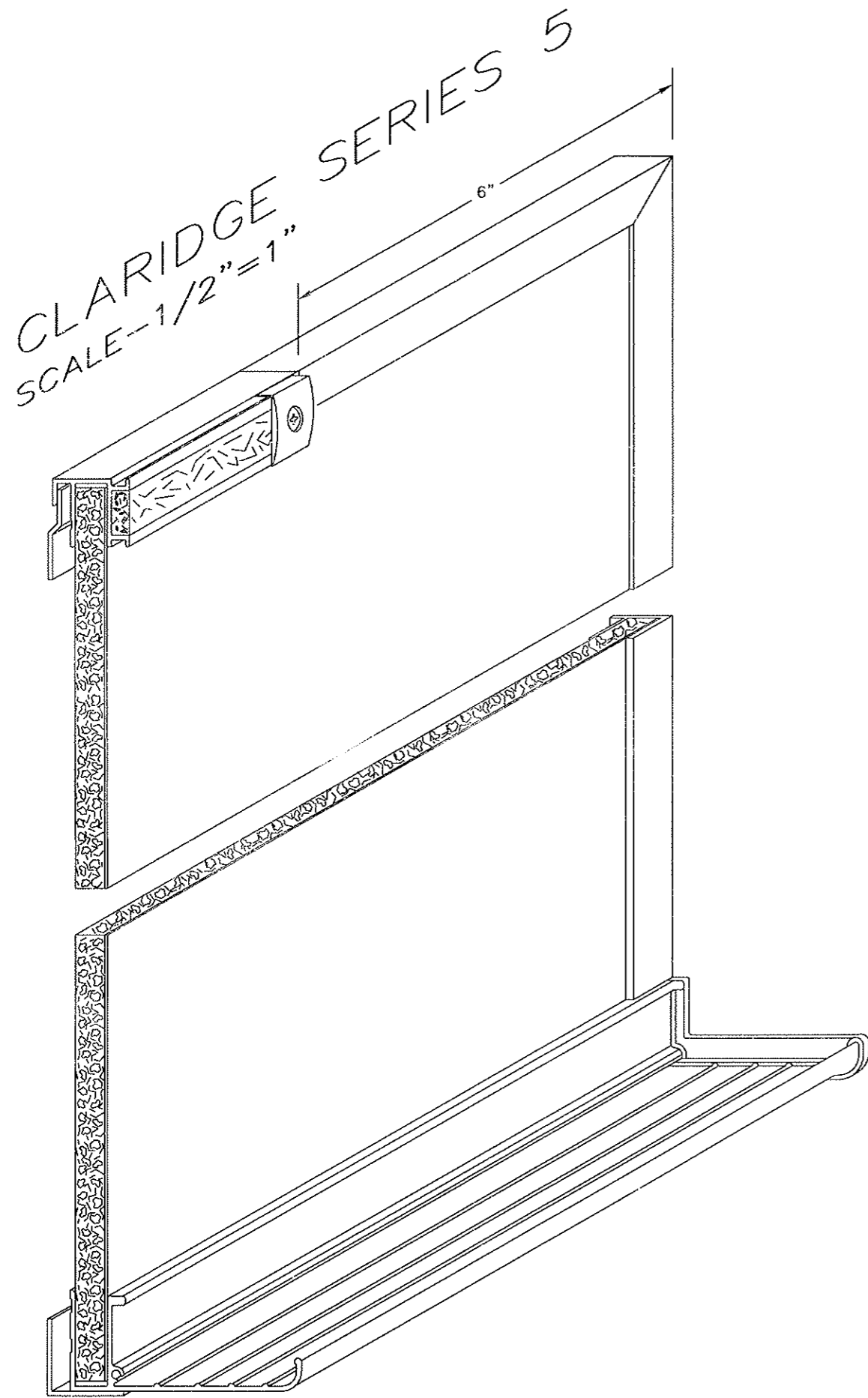
7

JOINT STRIP

MARKERBOARD
OR
CHALKBOARD

TACKBOARD

1"



PANEL SIZES UP TO 4'-0" HIGH X 16'-0" WIDE IN ONE PIECE
ALL PANELS ARE APPROX. 1/2" THICK OVERALL

PORCELAIN ENAMEL PANEL TYPE	CORE	PANEL BACKING
VITRACITE CHALKBOARD	STANDARD PARTICLE BOARD	MOISTURE BARRIER BACK
LCS MARKERBOARD	OPTIONAL MDF	OPTIONAL .002 FOIL .005 FOIL
LCSII MARKERBOARD	DURACORE	.015 SHEET STEEL

TACKBOARD PANELS	SERIES NUMBER	PANEL MAKE-UP
CLARIDGE CORK	#1100	CLARIDGE COLORED CORK ON HARDBOARD
TAN NUCORK	#550	TAN NUCORK ON HARDBOARD
FABRICORK	#1550	VINYL FABRIC ON CORK UNDERLAY ON HARDBOARD
FABRICORK	#1380A	VINYL FABRIC ON DURACORE
DESIGNER SERIES	#3102	DESIGNER FABRIC ON CORK UNDERLAY ON HARDBOARD
HOOK-FAB	#934	HOOK-FAB ON CORK UNDERLAY ON HARDBOARD