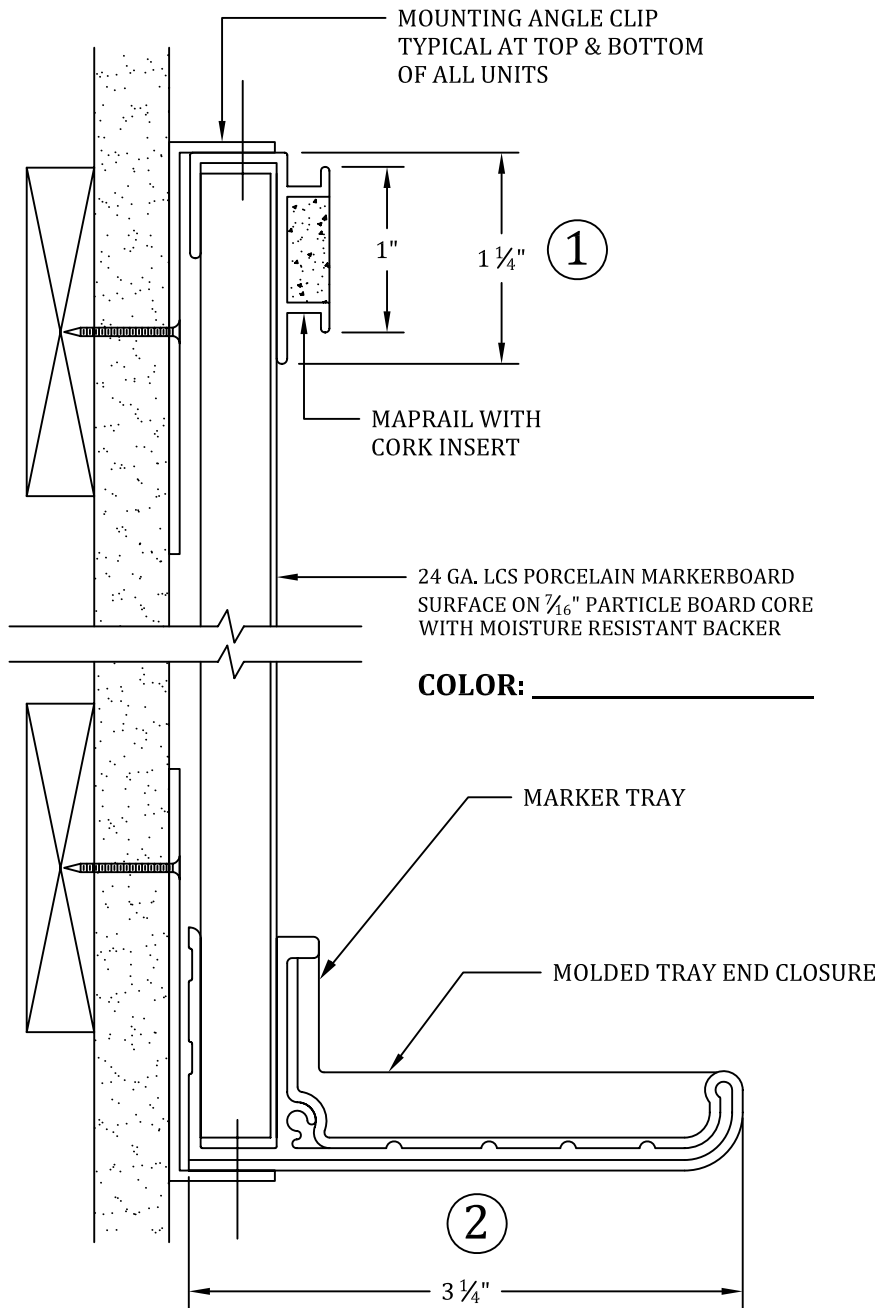
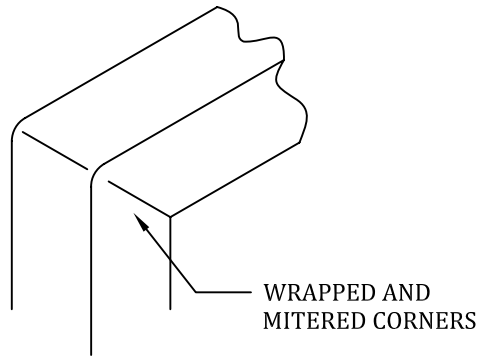


CLARIDGE SERIES 4 - FACTORY BUILT MARKERBOARD UNITS TRIM SECTION DETAILS

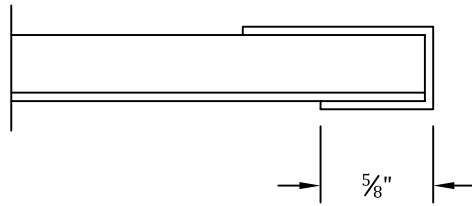


SCALE: NOT TO SCALE

Section:		<div style="border: 1px solid black; padding: 5px; text-align: center;">Color Selection</div> Markerboard: _____ Tackboard: _____ Alum. Trim: Clear Satin Anodized
P.B.S. Supply Co. 7013 South 216th Street Kent, WA 98032 Phone: (253) 395-5550 Fax: (253) 395-5575 www.pbssupply.com		
Project: Location: Architect: Contractor:		
File:	Date:	
Drw #	By:	

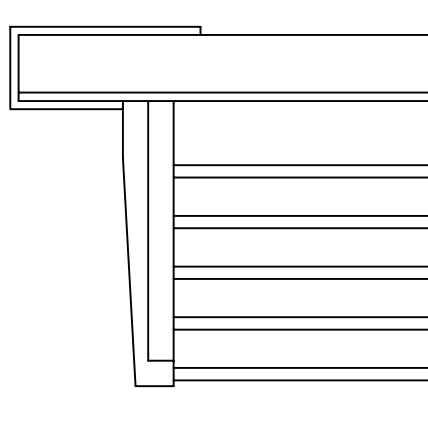


CORNER DETAIL



3

ALUMINUM TRIM AT PERIMETER



SAFETY FEATURE
JAMB DETAIL WITH MARKER TRAY
AND PROTECTIVE END CLOSURE

