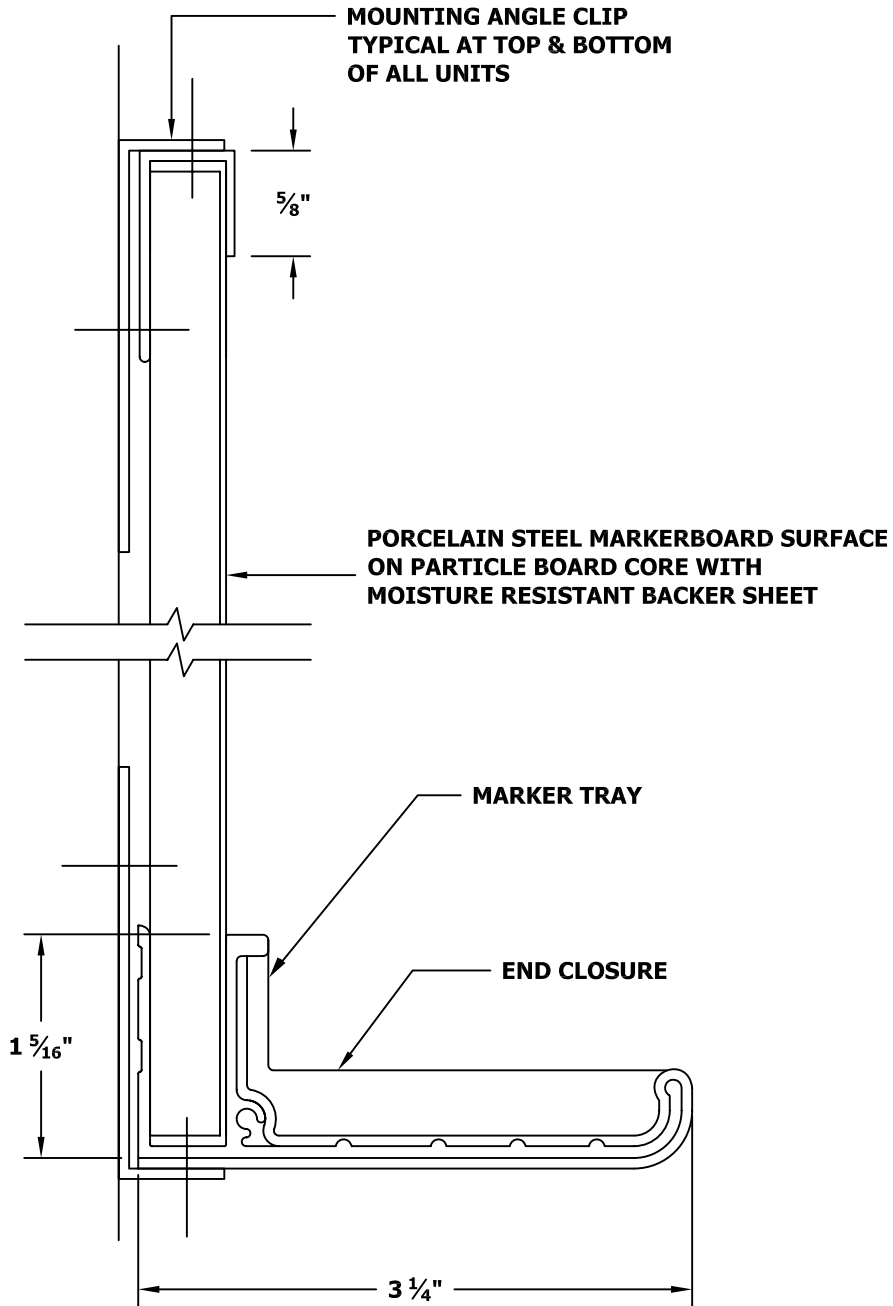
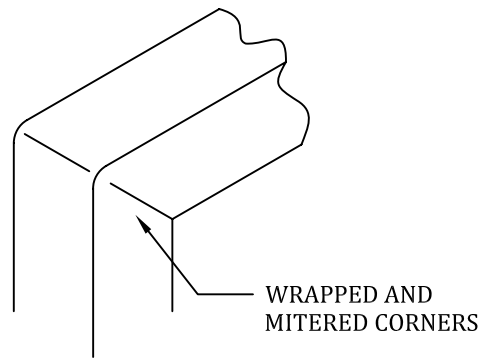


SERIES 4 - MARKERBOARDS

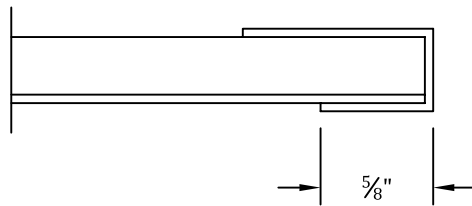


SCALE: NOT TO SCALE

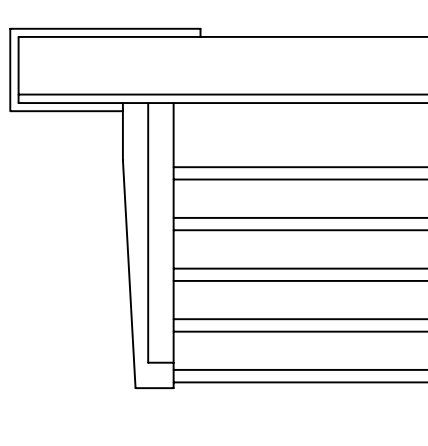
Section:		Project: Location: Architect: Contractor:	Color Selection	
P.B.S. Supply Co. 7013 South 216th Street Kent, WA 98032 Phone: (253) 395-5550 Fax: (253) 395-5575 www.pbssupply.com			Markerboard: _____	Tackboard: _____
File:	Date:	Drw #	Alum. Trim: Clear Satin Anodized	
			By: _____	



CORNER DETAIL



ALUMINUM TRIM AT PERIMETER



SAFETY FEATURE
JAMB DETAIL WITH MARKER TRAY
AND PROTECTIVE END CLOSURE

