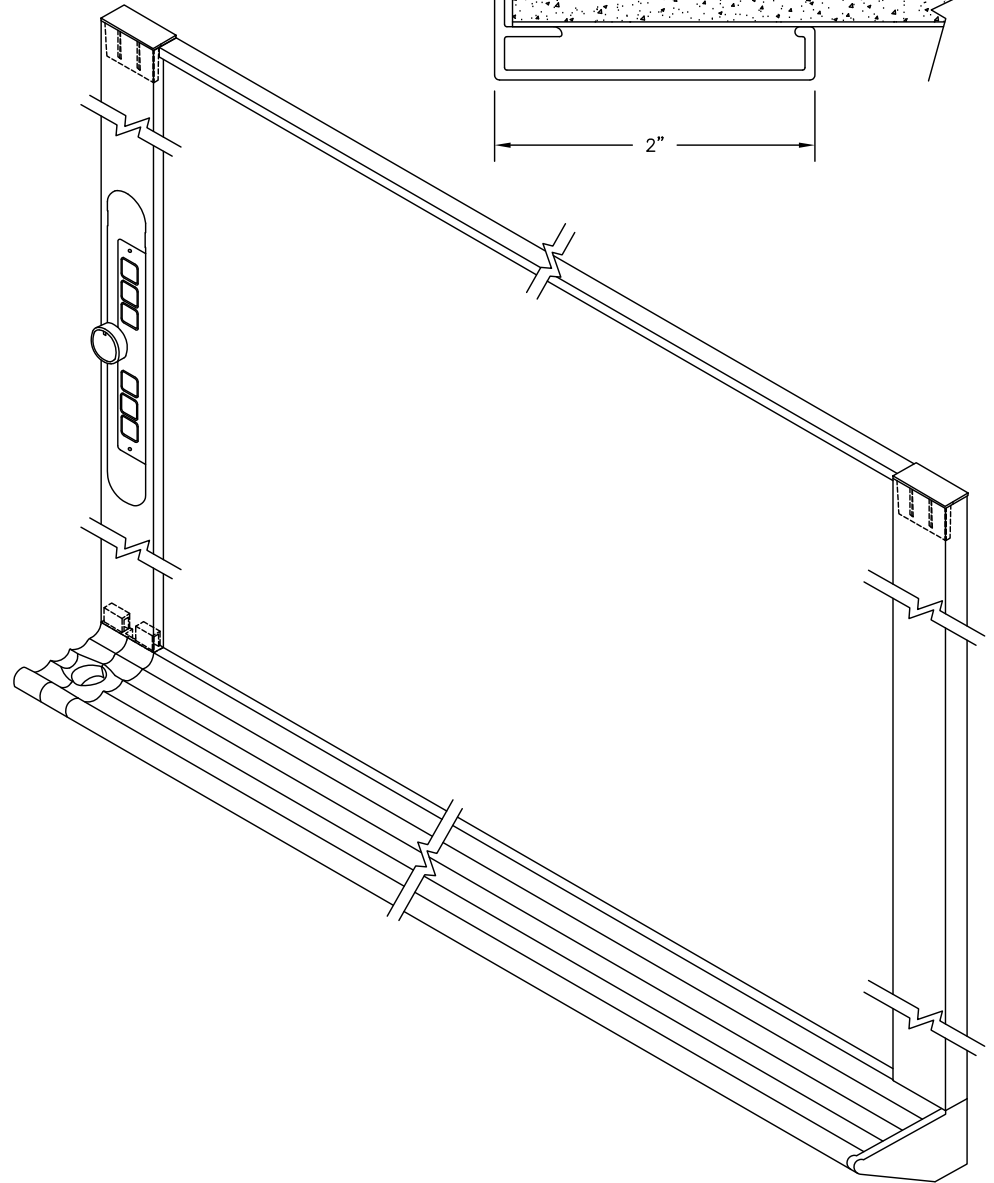
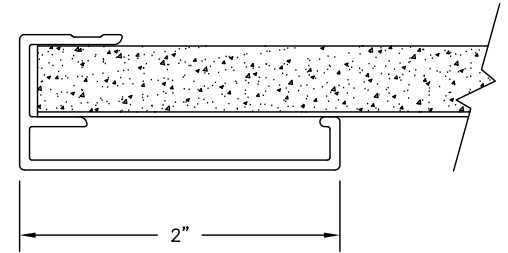
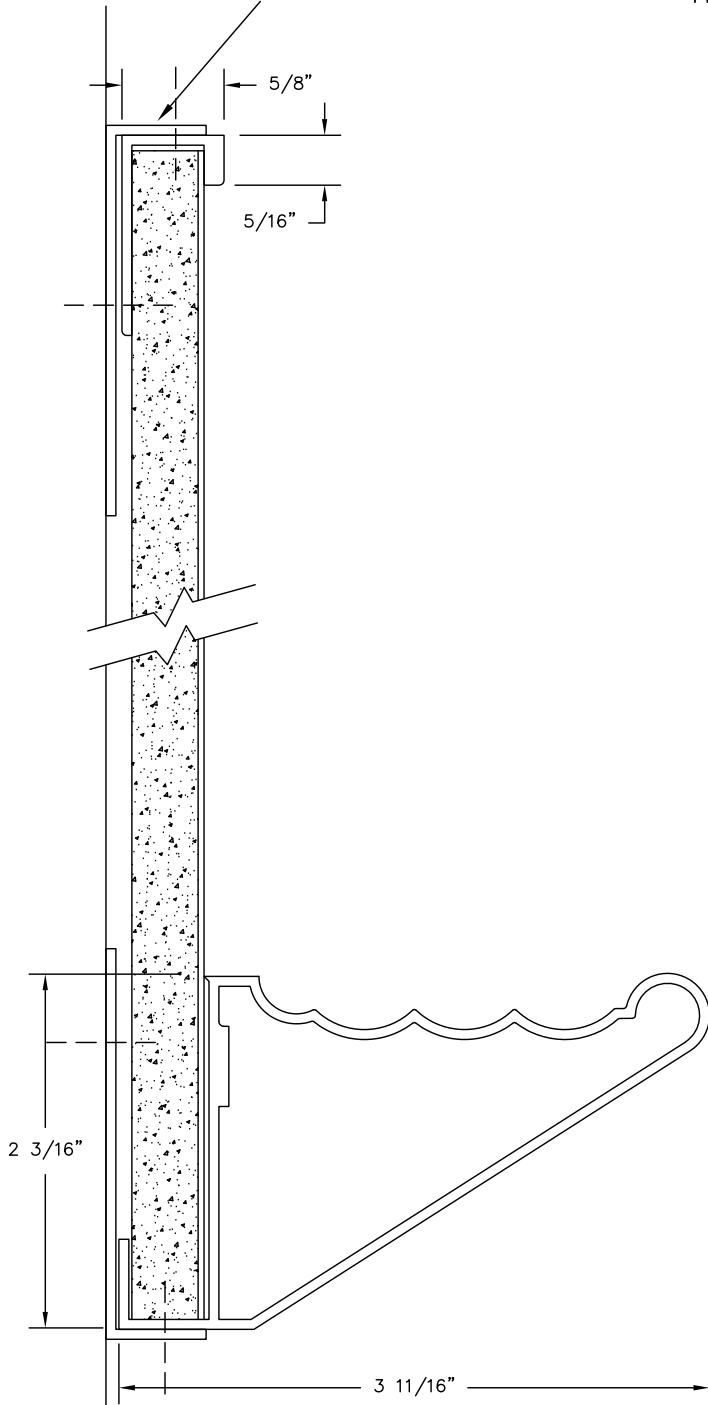



**CLARIDGE**  
**NEW SOLUTIONS BOARD**  
 TRIM SECTION DETAILS  
 SCALE=FULL SIZE

MOUNTING ANGLES  
 TYPICAL AT TOP & BOTTOM OF ALL UNITS.  
 2'-0" ON CENTER



	<b>CLARIDGE</b> PRODUCTS AND EQUIPMENT, INC. P.O. BOX 910 HARRISON, AR. 72602	
	ORDER NO. -	SHEET NO. 1 OF 1