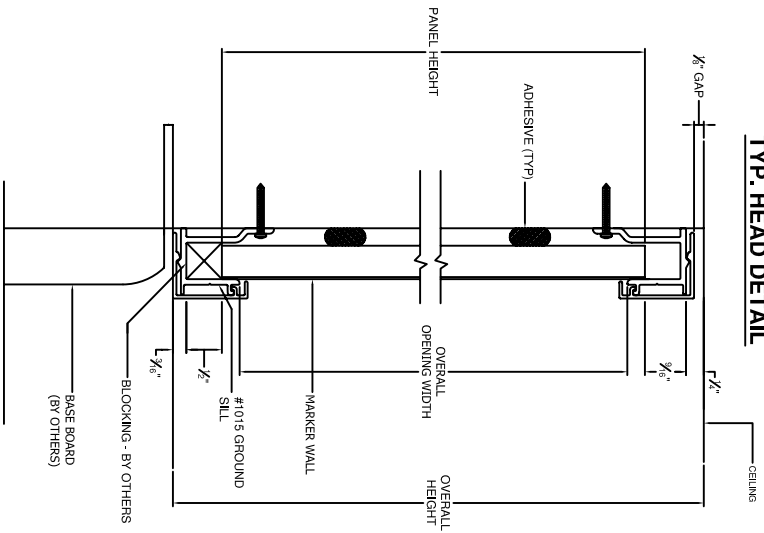
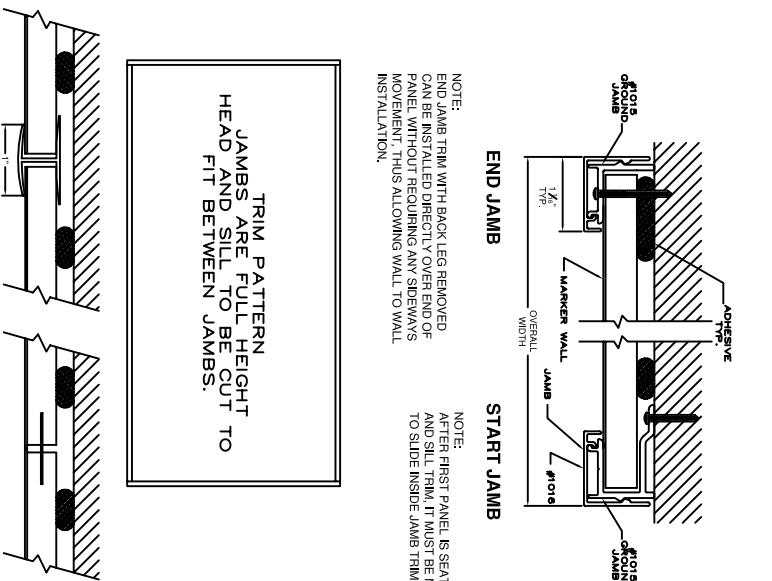


MW2 MARKER WALL UNITS TRIM SECTION DETAILS

TYP. HEAD DETAIL



TYP. SILL DETAIL



END JAMB

START JAMB

NOTE:
END JAMB TRIM WITH BACK LEG REMOVED CAN BE INSTALLED DIRECTLY OVER END OF PANEL, WITHOUT REQUIRING ANY SIDEWAYS MOVEMENT, THUS ALLOWING WALL TO WALL INSTALLATION.

NOTE:
AFTER FIRST PANEL IS SEATED IN HEAD AND SILL TRIM, IT MUST BE MOVED SIDEWAYS TO SLIDE INSIDE JAMB TRIM.

TRIM PATTERN
JAMBS ARE FULL HEIGHT TO
HEAD AND SILL TO BE CUT
TO FIT BETWEEN JAMBS.

**STANDARD
JOINT STRIP**

**OPTIONAL SPLINE
JOINT**

OPTIONS FOR JOINING PANELS

P.B.S. Supply Co., Inc.

7013 South 216th Street
Kent, WA 98032
Phone: (253) 395-5550
Fax: (253) 395-5575
www.pbssupply.com

Project:
Location:
Architect:
Contractor:

Section:
File:
Dwg #
Submitted By: Sonny Tram

Date:
ACCESSORIES
Map Hooks:
Flag Holders:
End Stops:

COLOR SELECTION
Whiteboard:
Tackboard:
Alum. Trim: Clear Satin Anodized

NOTE:
All sizes shown are nominal panel sizes.
Actual outside finish size with trim will be 1/4" larger than shown

Customer Approval

Authorized Signature:

Date: