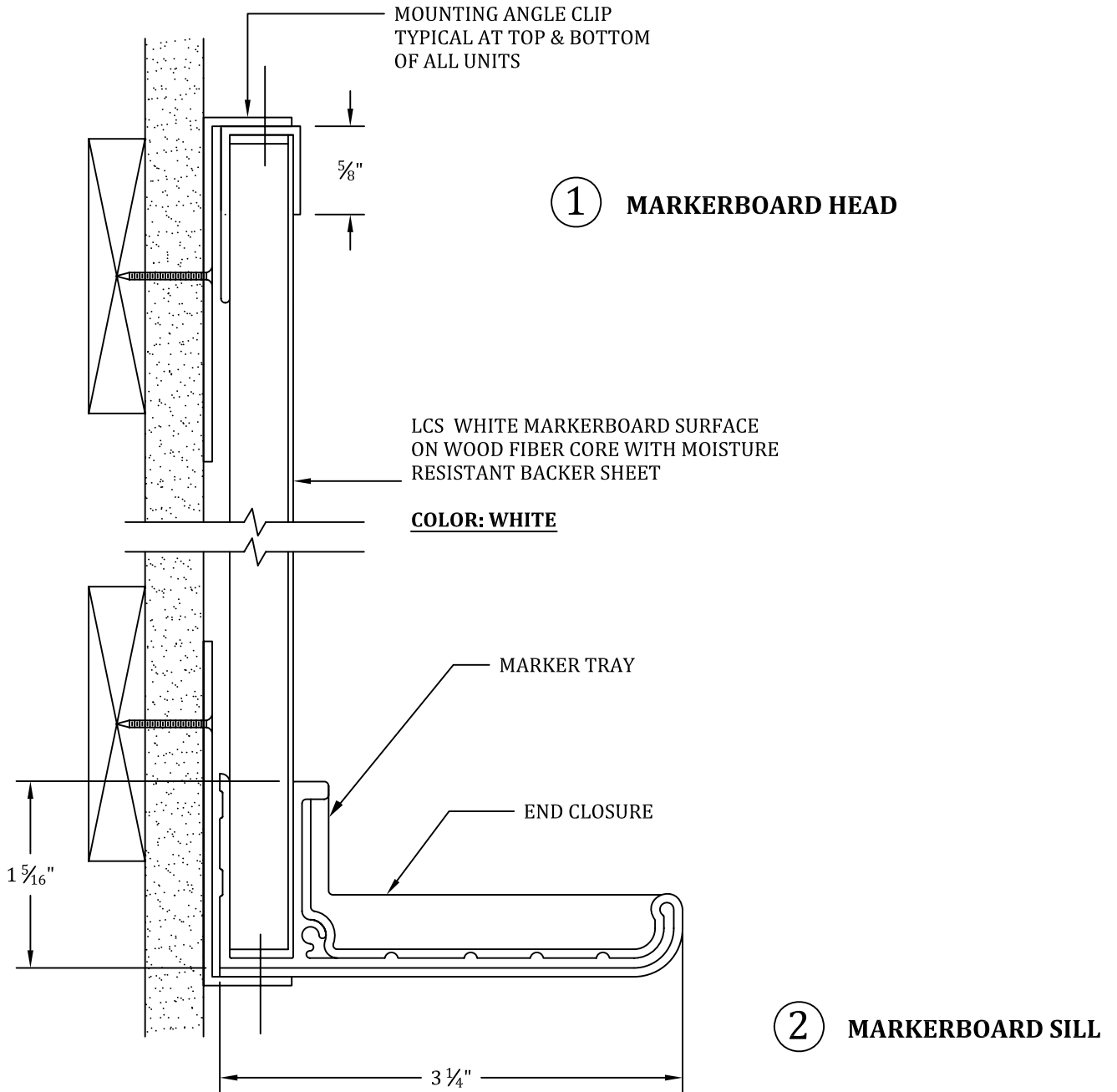
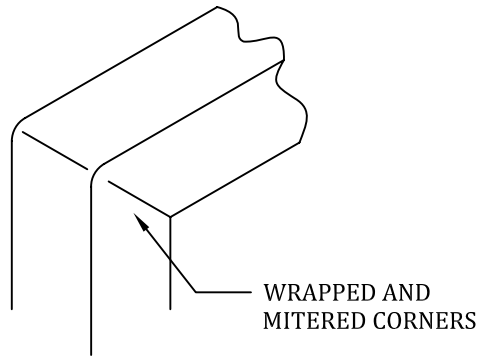


# CLARIDGE LCS DELUXE - FACTORY BUILT MARKERBOARD UNITS

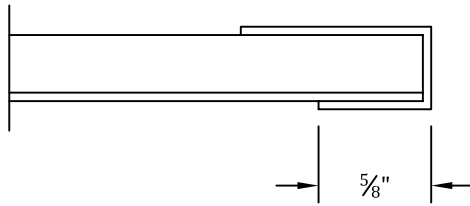


**SCALE: NOT TO SCALE**

Section: 10100		Project: Location: Architect: Contractor:	<b>Color Selection</b>
P.B.S. Supply Co. 7013 South 216th Street Kent, WA 98032 Phone: (253) 395-5550 Fax: (253) 395-5575 www.pbssupply.com			
File:	Date:	Drw #	Alum. Trim: Clear Satin Anodized
			By: Sonny Tram

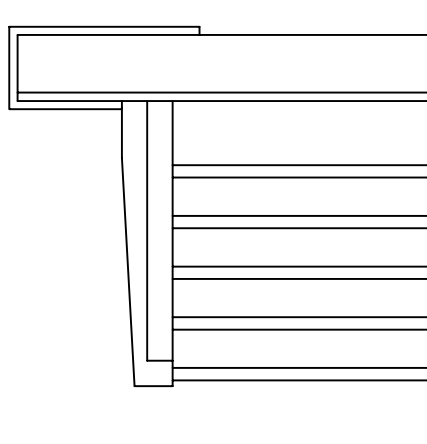


CORNER DETAIL



3

ALUMINUM TRIM AT PERIMETER



SAFETY FEATURE  
JAMB DETAIL WITH MARKER TRAY  
AND PROTECTIVE END CLOSURE

