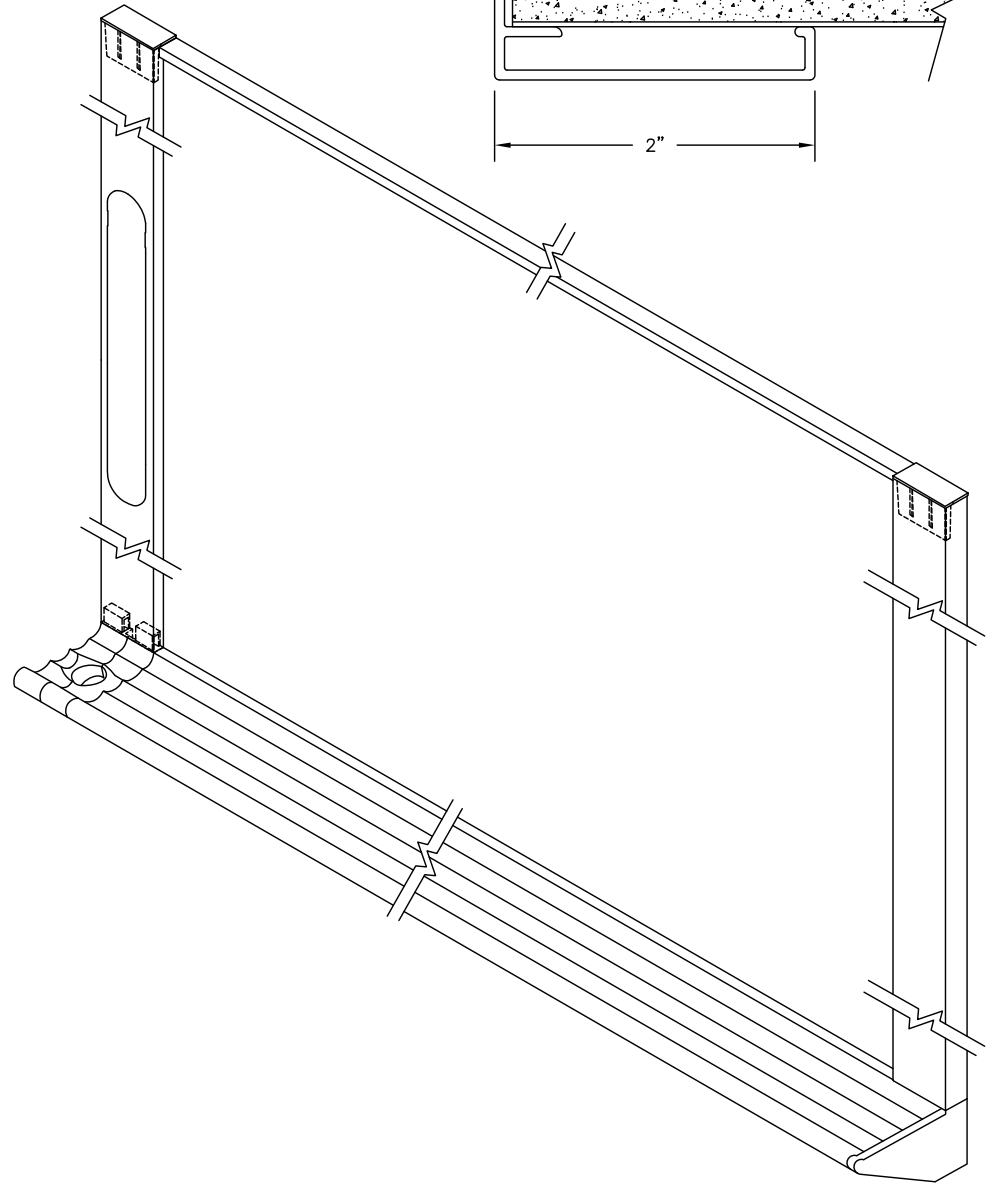
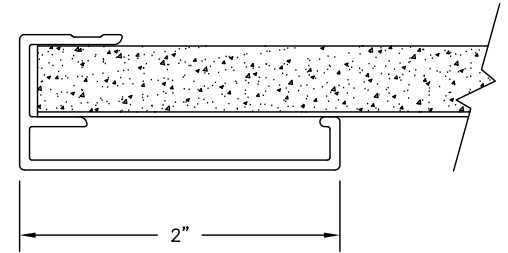
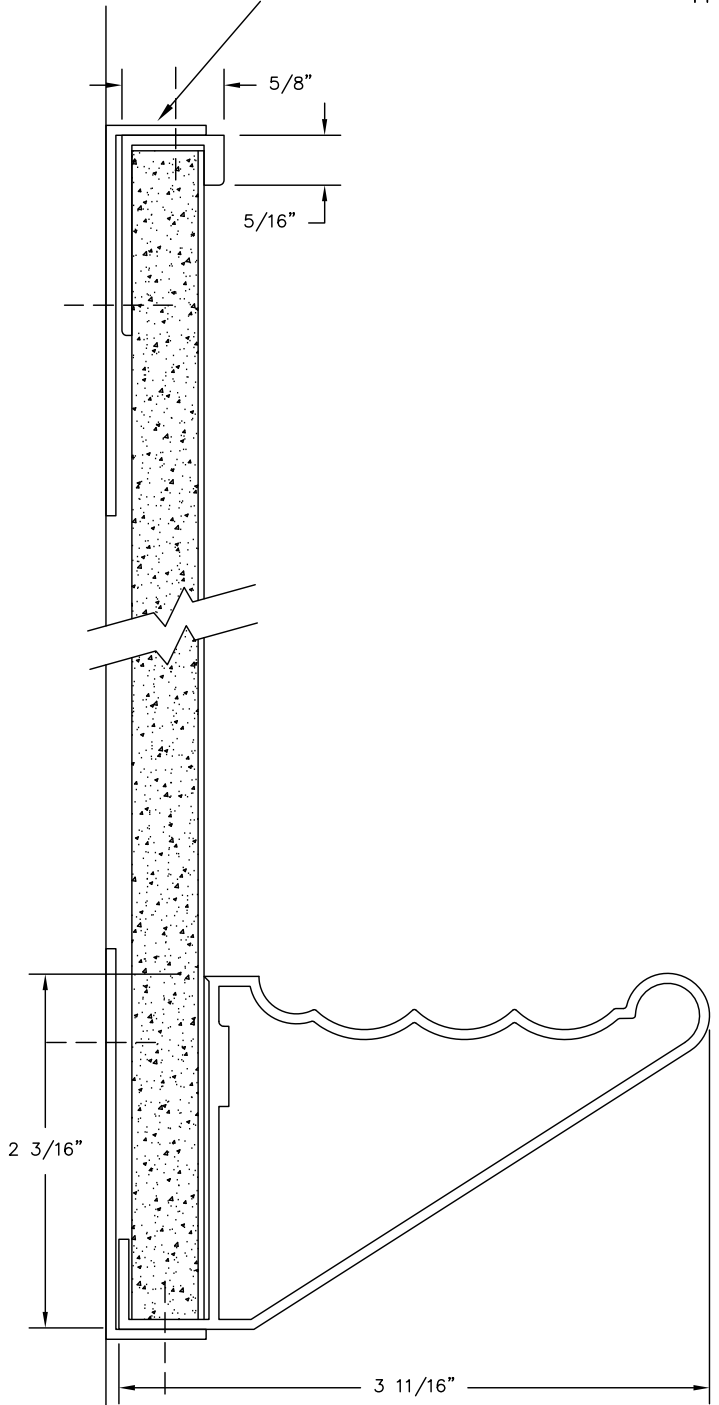



CLARIDGE
DIGITAL READY BOARD
 TRIM SECTION DETAILS
 SCALE=FULL SIZE

MOUNTING ANGLES
 TYPICAL AT TOP & BOTTOM OF ALL UNITS.
 2'-0" ON CENTER



	CLARIDGE PRODUCTS AND EQUIPMENT, INC. P.O. BOX 910 HARRISON, AR. 72602	
	ORDER NO. -	SHEET NO. 1 OF 1