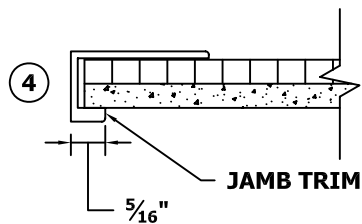
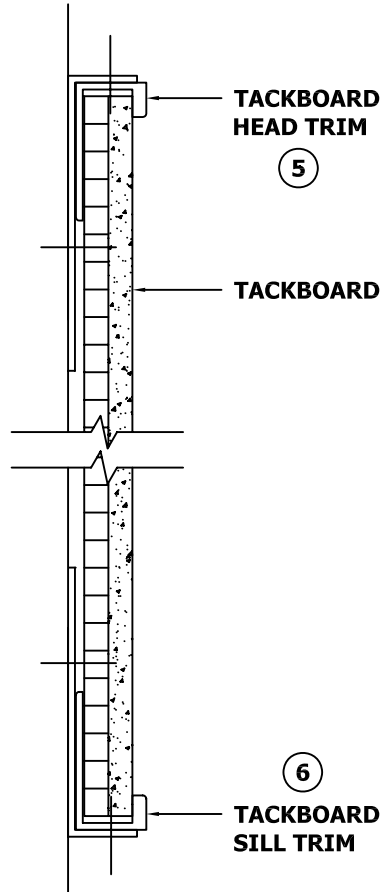
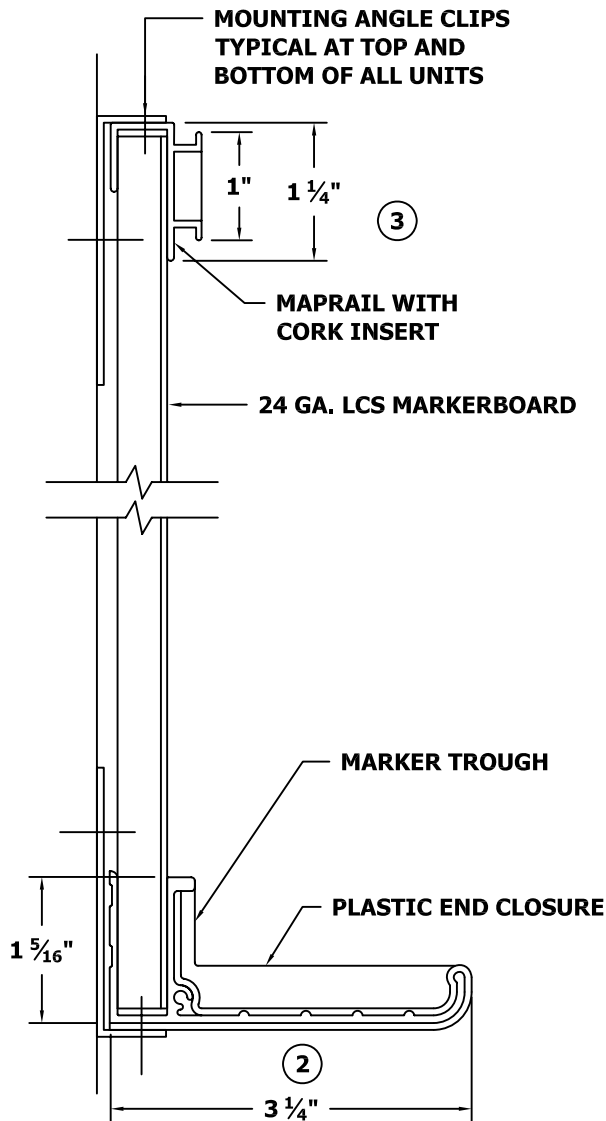


# CLARIDGE SERIES 8 - FACTORY BUILT UNITS

## TRIM SECTION DETAILS



**SCALE: NOT TO SCALE**

Section:		Project: Location: Architect: Contractor:	<b>Color Selection</b>
P.B.S. Supply Co. 7013 South 216th Street Kent, WA 98032 Phone: (253) 395-5550 Fax: (253) 395-5575 www.pbssupply.com			Whiteboard:
			Tackboard:
			Alum. Trim: Clear Satin Anodized
File:	Date:	Drw #	By: Sonny Tram