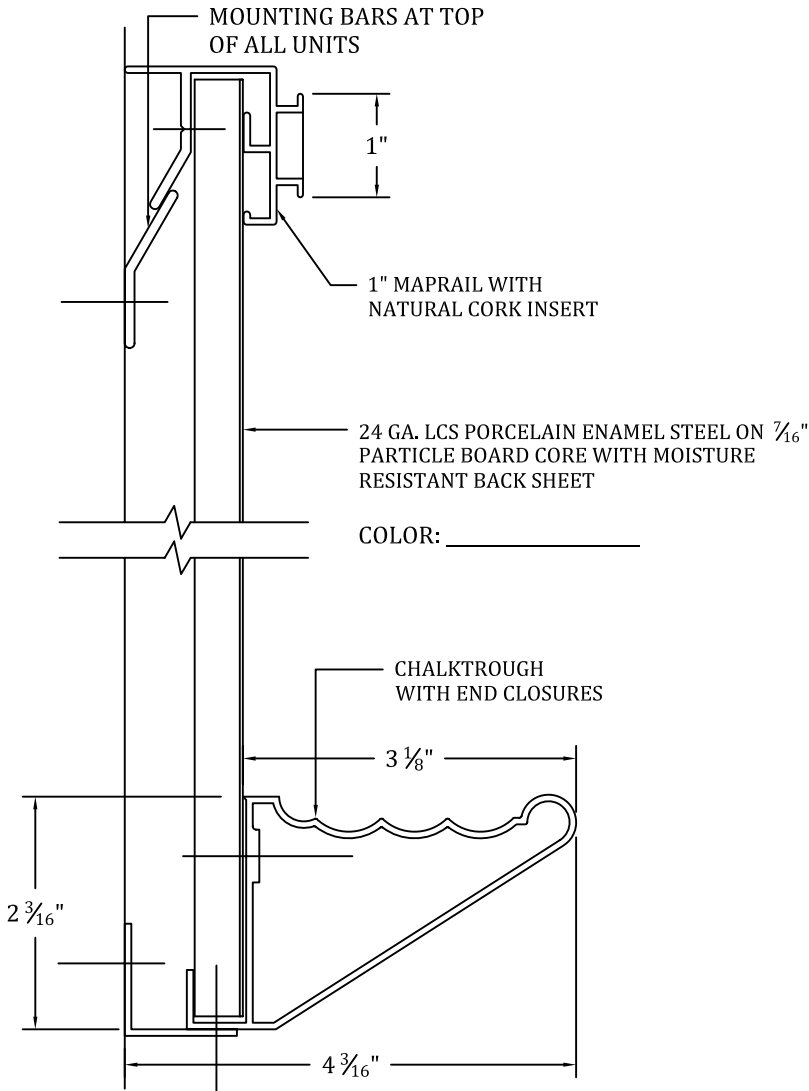


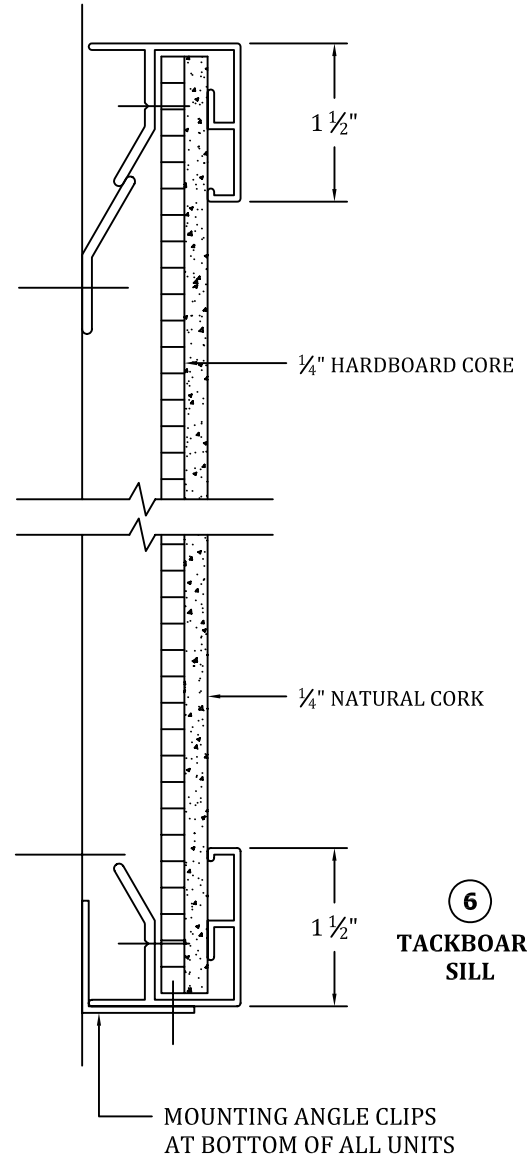
CLARIDGE SERIES 185 TRIM SECTION DETAILS

3 MARKERBOARD HEAD



2 MARKERBOARD SILL

5 TACKBOARD HEAD



6 TACKBOARD SILL

Section:

P.B.S. Supply Co.
7013 South 216th Street
Kent, WA 98032
Phone: (253) 395-5550
Fax: (253) 395-5575
www.pbssupply.com

Project:
Location:
Architect:
Contractor:

Color Selection

Markerboard: _____
Tackboard: _____
Alum. Trim: _____

File: _____ Date: _____

Drw # _____

By: _____